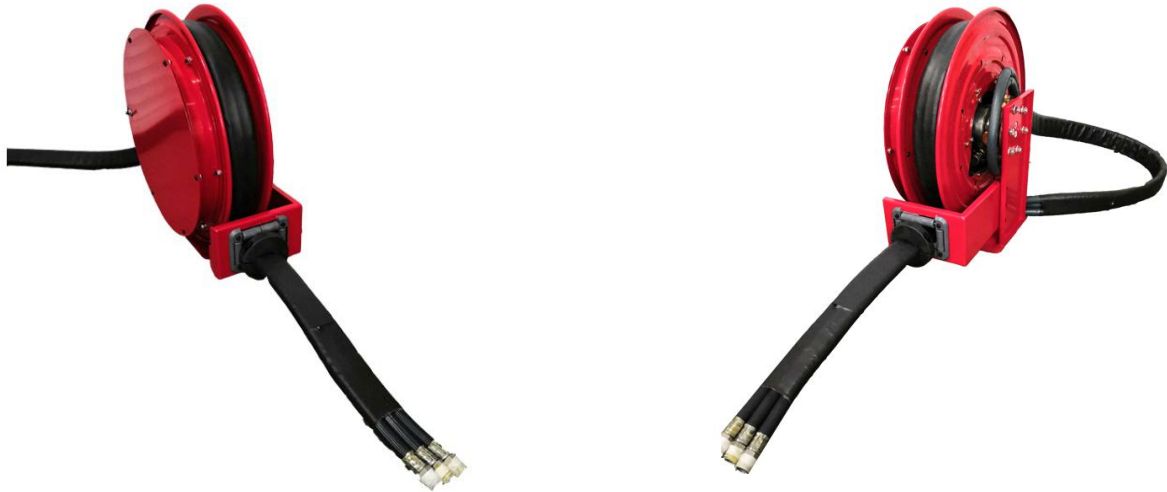


# Superreel® - Industrial Reel

## ESMH500S SERIES



## FEATURES

- Heavy duty. All-steel construction.
- For thermoplastic welded three port hose
- Available in Left or Right version
- Self winding by permanent spring force
- Full flow shaft swivels.
- Superior performance: Swivel and reel ball bearings reduce torque load on power spring for smooth retraction and durability.
- Corrosion resistant: Sealed bearings prevent contamination and minimize maintenance.
- Easy installation and maintenance: Factory lubricated one-piece power spring cassette make installation safer and maintenance easier.

1



**WWW.SUPERREEL.COM**

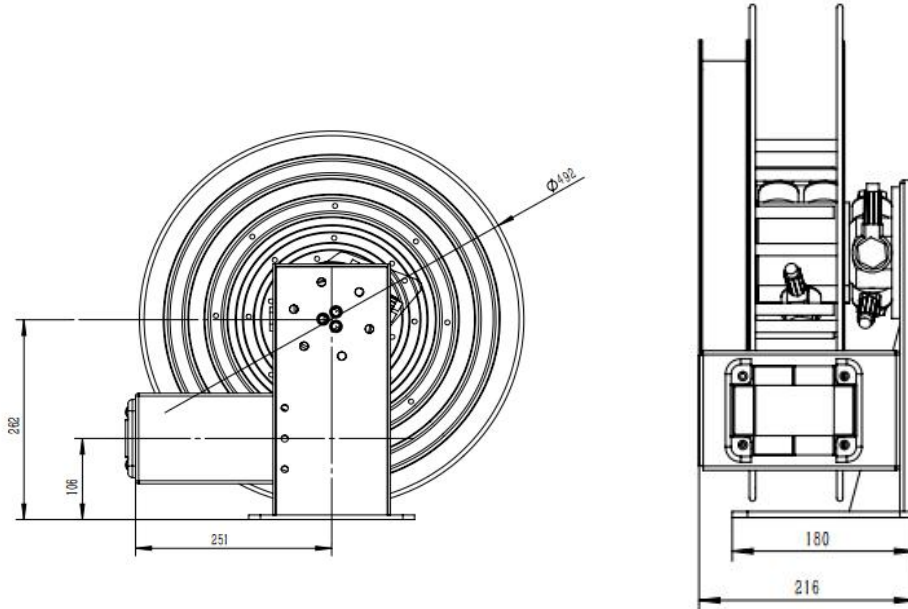
Email: [sales@superreel.com](mailto:sales@superreel.com)

# Superreel® - Industrial Reel

- Adjustable and Versatile: Guide arm adjust to wall, floor, vehicle, overhead positions.

Narrow design allows for maximum use of available space.

## DIMENSIONS



P/N	Port&core number	HOSE-ID. or CABLE-square	Pressure or lmax	Working length	Reel inlet	Hose outlet	A	B	C	D	E	F	G	H	I	J	K
ESMH500S0303040007	3	3/8"	4MPA	7m	M22*1.5.F	BSPT 3/8".M	492	225	508	216	497	180	212	90	180	4	11
ESMH500S0304040005	3	1/2"	4MPA	5m	M22*1.5.F	BSPT 1/2".M	492	225	508	216	497	180	212	90	180	4	11
ESMH500S static pressure: 35MPA, dynamic pressure: 22MPA							Dimensions are in millimeters										

