

Superreel® - Industrial Reel

ASSR300D SERIES



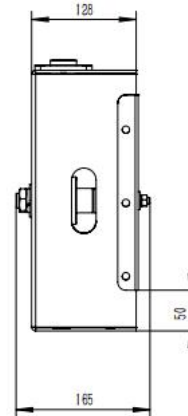
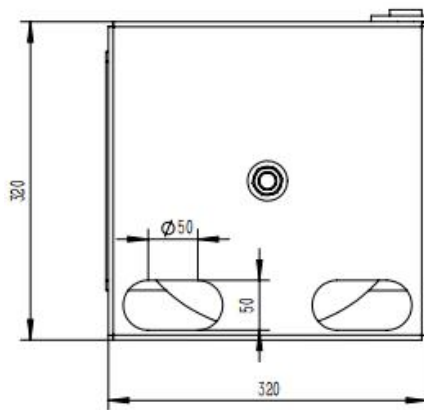
FEATURES

- Static discharge, balancer, Ground connector
- Professional grade heavy duty steel construction.
- Reel drive springs manufactured from high-quality, scaleless blue tempered steel.
- Durable abrasion and corrosion resistant baked-on power coat finish.
- Multi-position non-sparking lock ratchet mechanism secures cable at desired length.
- Automatic spring retraction for quick cable rewind.
- Compact, Ultralight for critical space requirements.



Superreel® - Industrial Reel

DIMENSIONS



P/N	Port&core number	HOSE-ID. or CABLE-square	Pressure or lmax	Working length	Reel inlet	Hose outlet	A	B	C	D	E	F	G	H	I	J	K
ASSR300D0201005020	1	1/4"	5KG	20m	/	clasp	300	200	320	165	320	126	320	60	250	4	11
ASSR300D0204010020	1	1.0 ²	10A	20m	/	clamp	300	200	320	165	320	126	320	60	250	4	11
							Dimensions are in millimeters										

