

# Superreel® - Industrial Reel

## ESSC990F SERIES



## FEATURES

- To handle live electric cable/cord.
- Professional grade heavy duty steel construction.
- Silver alloy slip ring.
- Available in Left or Right version
- Fixation by mounting flangel
- Self winding by permanent spring force
- Reel drive springs manufactured from high-quality, scaleless blue tempered steel.
- Durable abrasion and corrosion resistant baked-on power coat finish.
- Adjustable bumper stop allow any desired length of cord or cable to be maintained outside the reel.
- Compact for critical space requirements. .

1

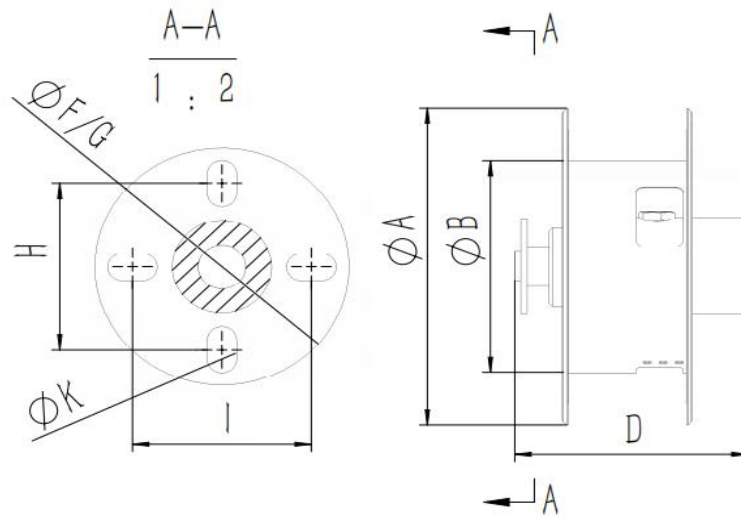


**WWW.SUPERREEL.COM**

Email: [sales@superreel.com](mailto:sales@superreel.com)

# Superreel® - Industrial Reel

## DIMENSIONS



P/N	Port&core number	HOSE-ID. or CABLE-square	Pressure or lmax	Working length	Reel inlet	Cable outlet	A	B	C	D	E	F	G	H	I	J	K
ESSC990F3005010038	30	1.5 <sup>2</sup>	10A	38m	Bare wire	Bare wire	990	530	990	565	990	250	250	185	185	4	18
ESSC990F2406020033	24	2.5 <sup>2</sup>	20A	33m	Bare wire	Bare wire	990	530	990	565	990	250	250	185	185	4	18
ESSC990F0509050042	5	6 <sup>2</sup>	50A	42m	Bare wire	Bare wire	990	530	990	565	990	250	250	185	185	4	18
ESSC990F0410065046	4	10 <sup>2</sup>	65A	46m	Bare wire	Bare wire	990	530	990	565	990	250	250	185	185	4	18
ESSC990F0411091035	4	16 <sup>2</sup>	91A	35m	Bare wire	Bare wire	990	530	990	565	990	250	250	185	185	4	18
ESSC990F0412120026	4	25 <sup>2</sup>	120A	26m	Bare wire	Bare wire	990	530	990	565	990	250	250	185	185	4	18
							Dimensions are in millimeters										

