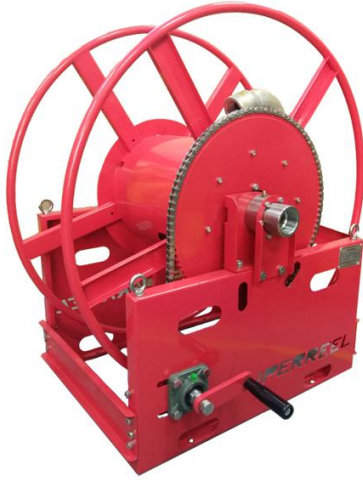


Superreel® - Industrial Reel

AMSH790D SERIES



FEATURES

- Heavy-duty. All-steel construction.
- Full flow shaft and swivel
- Rugged construction: Steel drum and all bolted construction. Vibration-proof self-locking fasteners.
- Safe: adjustable spool rotation drag eliminates hose backlash when de-reeling. Lock pin prevents spool rotation when reel is not in use.
- Versatile: Reel can be easily converted to power-driven type with motor mounting at either end of reel.
- Low maintenance: Dual main bearings never need lubrication.
- Shipped completely assembled, ready to install.

1

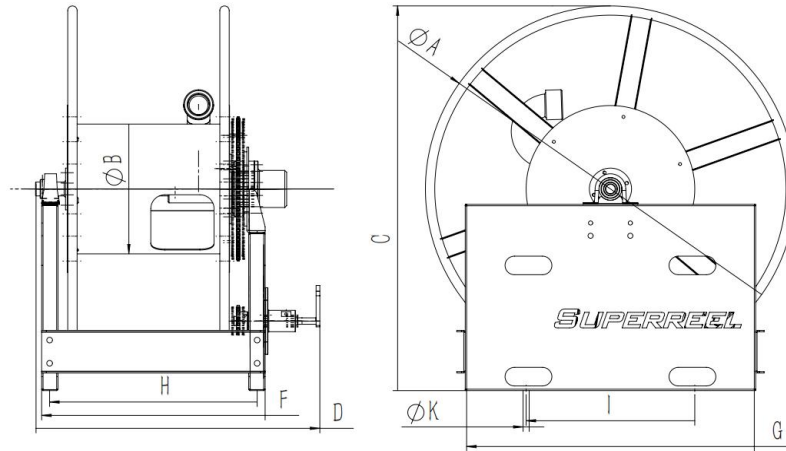


WWW.SUPERREEL.COM

Email: sales@superreel.com

Superreel® - Industrial Reel

DIMENSIONS



P/N	Port&core number	HOSE-ID. or CABLE-square	Pressure or lmax	Working length	Reel inlet	Hose outlet	A	B	C	D	E	F	G	H	I	J	K
AMSH790D0108016030	1	1-1/4"	1.6Mpa	30m	BSPT1-1/4"“.F	BSPT1-1/4"“.M	790	280	830	606	790	477	614	443	360	4	13
AMSH790D0108016050	1	1-1/4"	1.6Mpa	50m	BSPT1-1/2"“.F	BSPT1-1/2"“.M	790	280	830	856	790	727	614	693	360	4	13
AMSH790D0109016030	1	1-1/2"	1.6Mpa	30m	BSPT1-1/4"“.F	BSPT1-1/4"“.M	790	280	830	606	790	477	614	443	360	4	13
AMSH790D0109016050	1	1-1/2"	1.6Mpa	50m	BSPT1-1/2"“.F	BSPT1-1/2"“.M	790	280	830	856	790	727	614	693	360	4	13
AMSH790D0110016025	1	2"	1.6Mpa	25m	BSPT2"“.F	BSPT2"“.M	790	400	830	606	790	477	614	800	360	4	13
AMSH790D0111016020	1	2-1/2"	1.6Mpa	20m	BSPT1-1/2"“.F	BSPT1-1/2"“.M	790	400	830	606	790	477	614	800	360	4	13
Chain drive is optional							Dimensions are in millimeters										

