

Superreel® - Industrial Reel

AMSC270S SERIES



FEATURES

- Crank rewind. For storage only, no live connections.
- Durable abrasion and corrosion resistant baked-on power coat finish.
- Rugged construction: Steel drum and all bolted construction. Vibration-proof self-locking fasteners.
- Safe: adjustable spool rotation drag eliminates cord backlash when de-reeling. Lock pin prevents spool rotation when reel is not in use.
- Low maintenance: Dual main bearings never need lubrication.
- Compact for critical space requirements.
- Shipped completely assembled, ready to install.

1

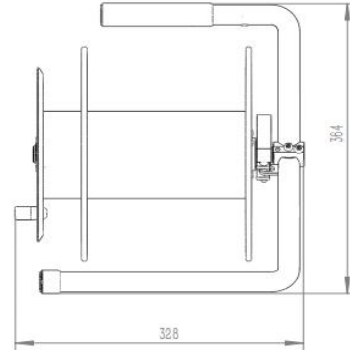
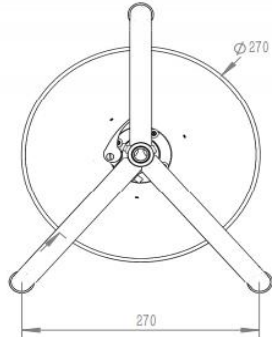


WWW.SUPERREEL.COM

Email: sales@superreel.com

Superreel® - Industrial Reel

DIMENSIONS



P/N	Port&core number	HOSE-ID. or CABLE-square	Pressure or I _{max}	Working Length	Reel inlet	Hose outlet	A	B	C	D	E	F	G	H	I	J	K
AMSC270S0305000020	3	1.5 ²	/	20m	Bare wire	Bare wire	270	110	364	328	300	/	/	/	/	/	/
AMSC270S0306000020	3	2.5 ²	/	20m	Bare wire	Bare wire	270	110	364	328	300	/	/	/	/	/	/
For storage only, no live connections.							Dimensions are in millimeters										

