

# Superreel® - Industrial Reel

## AESH790D SERIES



## FEATURES

- Heavy-duty. All-steel construction.
- High pressure. Full flow shaft and swivel.
- Rugged construction: Steel drum and all bolted construction.
- Dimensional flexibility: Specify height, width and depth dimensions to fit your space requirement.
- Low maintenance: Dual main bearings never need lubrication.
- Shipped completely assembled, ready to install.

1

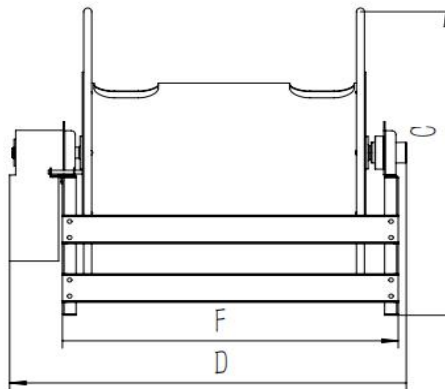
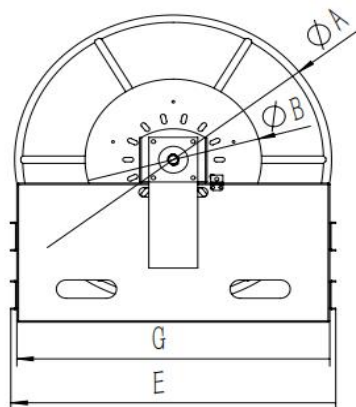


**WWW.SUPERREEL.COM**

Email: [sales@superreel.com](mailto:sales@superreel.com)

# Superreel® - Industrial Reel

## DIMENSIONS



P/N	Port&core number	HOSE-ID. or CABLE-square	Pressure or lmax	Working length	Reel inlet	Hose outlet	A	B	C	D	E	F	G	H	I	J	K
AESH790D0108016030	1	1-1/4"	1.6Mpa	30m	BSPT1-1/4".F	BSPT1-1/4".M	790	280	830	626	790	477	614	443	360	4	13
AESH790D0108016050	1	1-1/4"	1.6Mpa	50m	BSPT1-1/2".F	BSPT1-1/2".M	790	280	830	876	790	727	614	693	360	4	13
AESH790D0109016030	1	1-1/2"	1.6Mpa	30m	BSPT1-1/4".F	BSPT1-1/4".M	790	280	830	626	790	477	614	443	360	4	13
AESH790D0109016050	1	1-1/2"	1.6Mpa	50m	BSPT1-1/2".F	BSPT1-1/2".M	790	280	830	876	790	727	614	693	360	4	13
AESH790D0110016025	1	2"	1.6Mpa	25m	BSPT2".F	BSPT2".M	790	400	830	626	790	477	614	800	360	4	13
AESH790D0111016020	1	2-1/2"	1.6Mpa	20m	BSPT1-1/2".F	BSPT1-1/2".M	790	400	830	626	790	477	614	800	360	4	13
							Dimensions are in millimeters										

