

Superreel® - Industrial Reel

ESSC660F SERIES



FEATURES

- To handle live electric cable/cord.
- Professional grade heavy duty steel construction.
- Silver alloy slip ring.
- Available in Left or Right version
- Fixation by mounting flangel
- Self winding by permanent spring force
- Reel drive springs manufactured from high-quality, scaleless blue tempered steel.
- Durable abrasion and corrosion resistant baked-on power coat finish.
- Adjustable bumper stop allow any desired length of cord or cable to be maintained outside the reel.
- Compact for critical space requirements.

1

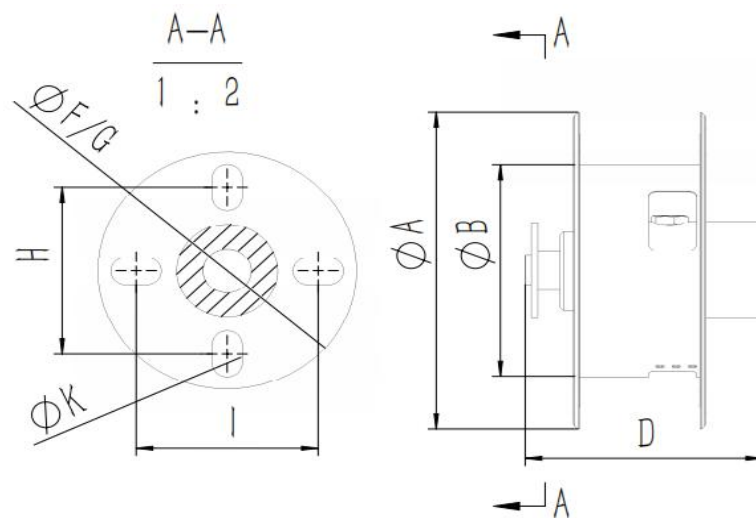


WWW.SUPERREEL.COM

Email: sales@superreel.com

Superreel® - Industrial Reel

DIMENSIONS



P/N	Port&core number	HOSE-ID. or CABLE-square	Pressure or lmax	Working length	Reel inlet	Cable outlet	A	B	C	D	E	F	G	H	I	J	K
ESSC660F0408030025	4	4 ²	30A	30m	Bare wire	Bare wire	660	400	660	337	660	120	120	100	100	4	13
ESSC660F0409050025	4	6 ²	50A	30m	Bare wire	Bare wire	660	400	660	337	660	120	120	100	100	4	13
ESSC660F0410065020	4	10 ²	65A	25m	Bare wire	Bare wire	660	400	660	337	660	120	120	100	100	4	13
ESSC660F0411075020	4	16 ²	91A	20m	Bare wire	Bare wire	660	400	660	337	660	120	120	100	100	4	13
ESSC660F2005010025	20	1.5 ²	10A	30m	Bare wire	Bare wire	660	400	660	337	660	120	120	100	100	4	13
							Dimensions are in millimeters										

