

Superreel® - Industrial Reel

ASSH500D SERIES



FEATURES

- Dual pedestal, heavy duty. High pressure, Full flow shaft and swivel
- Reel drive springs manufactured from high-quality, scaleless blue tempered steel.
- Anti-lockout design: Ratchet prevents lockup when hose is fully extended, eliminating the need to manually release the pawl at the reel.
- Superior performance: Swivel and reel ball bearings reduce torque load on power spring for smooth retraction and durability.
- Corrosion resistant: Sealed bearings prevent contamination and minimize maintenance.
- Easy installation and maintenance: Factory lubricated one-piece power spring cassette make installation safer and maintenance easier.
- Adjustable and Versatile: Guide arm adjust to wall, floor, vehicle, overhead positions. Narrow design allows for maximum use of available space.

1

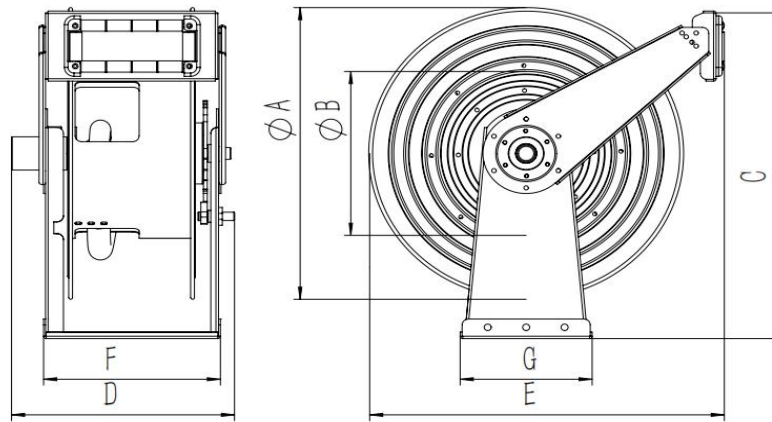


WWW.SUPERREEL.COM

Email: sales@superreel.com

Superreel® - Industrial Reel

DIMENSIONS



P/N	Port&core number	HOSE-ID. or CABLE-square	Pressure or lmax	Working length	Reel inlet	Hose outlet	A	B	C	D	E	F	G	H	I	J	K
ASSH500D0101300025	1	1/4"	30Mpa	25m	BSPT3/4".F	BSPT1/4".M	485	270	550	348	553	276	206	152	152	4	12
ASSH500D0102300025	1	5/16"	30Mpa	25m	BSPT3/4".F	BSPT3/8".M	485	270	550	348	553	276	206	152	152	4	12
ASSH500D0103300025	1	3/8"	30Mpa	25m	BSPT3/4".F	BSPT3/8".M	485	270	550	348	553	276	206	152	152	4	12
ASSH500D0104300025	1	1/2"	30Mpa	25m	BSPT3/4".F	BSPT1/2".M	485	270	550	348	553	276	206	152	152	4	12
ASSH500D0105300020	1	5/8"	30Mpa	20m	BSPT3/4".F	BSPT5/8".M	485	270	550	348	553	276	206	152	152	4	12
ASSH500D0106300015	1	3/4"	30Mpa	15m	BSPT3/4".F	BSPT3/4".M	485	270	550	348	553	276	206	152	152	4	12
ASSH500D0108016015	1	1"	1.6Mpa	15m	BSPT3/4".F	BSPT1".M	485	270	550	348	553	276	206	152	152	4	12
ASSH500D0108300010	1	1"	30Mpa	10m	BSPT3/4".F	BSPT1".M	485	270	550	348	553	276	206	152	152	4	12

Dimensions are in millimeters

