

Superreel® - Industrial Reel

AESH1800D SERIES



FEATURES

- Standard frame and spool assembly are of heavy duty steel construction. Also available in aluminum or stainless steel.
- High pressure. Large frame design, large storage capacity. Full flow shaft and swivel.
- Our large frame products range in size from 1" I.D. up to 4" I.D. and we offer special products beyond 4".
- Rugged construction: Steel drum and all bolted construction.



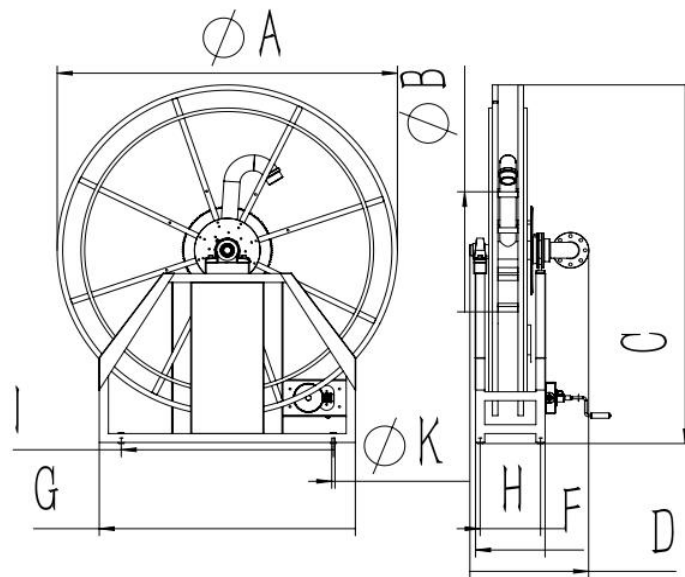
WWW.SUPERREEL.COM

Email: sales@superreel.com

Superreel® - Industrial Reel

- Dimensional flexibility: Specify height, width and depth dimensions to fit your space requirement.
- Low maintenance: Dual main bearings never need lubrication.
- Shipped completely assembled, ready to install.

DIMENSIONS



P/N	Port&core number	HOSE-ID. or CABLE-square	Pressure or I _{max}	Working length	Reel inlet	Hose outlet	A	B	C	D	E	F	G	H	I	J	K
AESH1800D0112016015	1	3"	1.6Mpa	15m	3"Flange	BSPT3".F	1800	670	2018	660	1800	380	1400	330	1160	4	18
AESH1800D0114016012	1	4"	1.6Mpa	10m	4"Flange	BSPT4".F	1800	670	2018	690	1800	410	1400	360	1160	4	18
							Dimensions are in millimeters										

