

Superreel® - Industrial Reel

ASDH370D SERIES



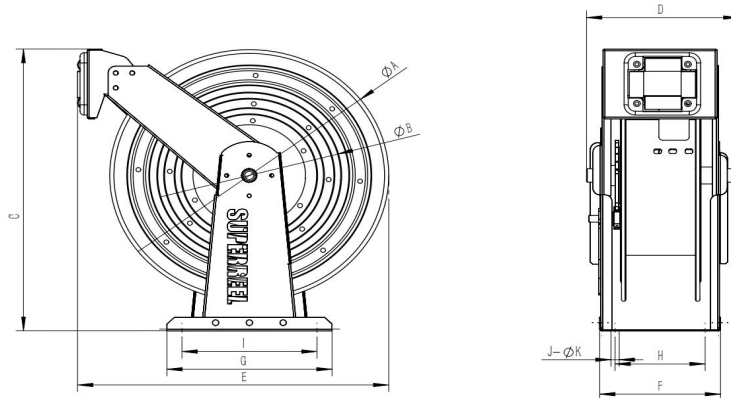
FEATURES

- Heavy duty. All-steel construction and a baked-on power coat finish combine.
- Full flow shaft swivels. Reduces fill rate time and improves efficiency.
- Anti-lockout design: Ratchet prevents lockup when hose is fully extended, eliminating the need to manually release the pawl at the reel.
- Superior performance: Swivel and reel ball bearings reduce torque load on power spring for smooth retraction and durability.
- Corrosion resistant: Sealed bearings prevent contamination and minimize maintenance.
- Easy installation and maintenance: Factory lubricated one-piece power spring cassette make installation safer and maintenance easier.
- Adjustable and Versatile: Guide arm adjust to wall, floor, vehicle, overhead positions. Narrow design allows for maximum use of available space.



Superreel® - Industrial Reel

DIMENSIONS



P/N	Port&core number	HOSE-ID. or CABLE-square	Pressure or lmax	Working length	Reel inlet	Hose outlet	A	B	C	D	E	F	G	H	I	J	K
ASDH370D0201300004	2	1/4"	30Mpa	4m	M20*1.5.M	M20*1.5.M	370	230	416	203	415	161	220	120	180	4	9
ASDH370D0203300003	2	1/2"	30Mpa	3m	M20*1.5.M	M20*1.5.M	370	230	416	203	415	161	220	120	180	4	9
Reel inlet, symmetrical distribution on left and right sides							Dimensions are in millimeters										

