

Superreel® - Industrial Reel

ASSC800D SERIES



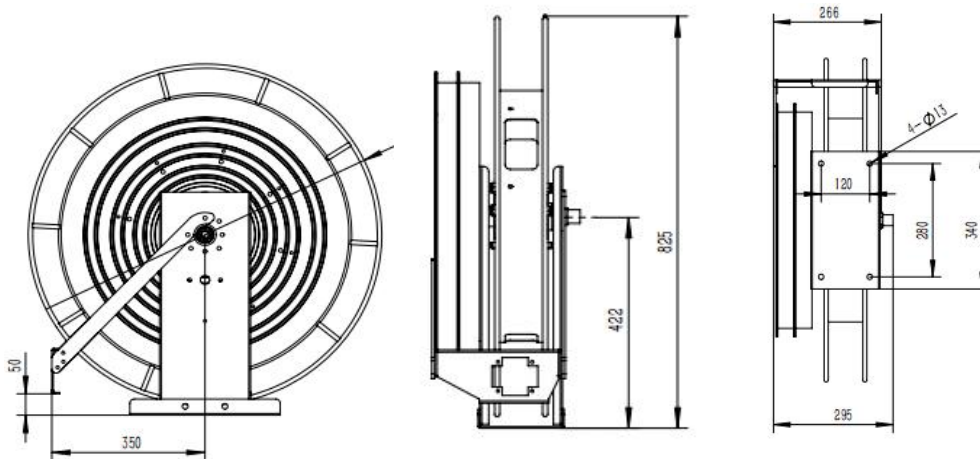
FEATURES

- To handle live electric cable/cord.
- Professional grade heavy duty steel construction.
- Silver alloy slip ring.
- Reel drive springs manufactured from high-quality, scaleless blue tempered steel.
- Durable abrasion and corrosion resistant baked-on power coat finish.
- Adjustable bumper stop allow any desired length of cord or cable to be maintained outside the reel.
- Automatic spring retraction for quick cord rewind.
- Compact for critical space requirements.



Superreel® - Industrial Reel

DIMENSIONS



P/N	Port&core number	HOSE-ID. or CABLE-square	Pressure or lmax	Working length	Reel inlet	Cable outlet	A	B	C	D	E	F	G	H	I	J	K
ASSC800D0509050030	5	6 ²	50A	30m	Bare wire	Bare wire	800	500	825	295	800	171	340	120	280	4	13
ASSC800D0510065030	5	10 ²	65A	30m	Bare wire	Bare wire	800	500	825	345	800	221	340	170	280	4	13
							Dimensions are in millimeters										

