

# Superreel® - Industrial Reel

## ASSH670D SERIES



## FEATURES

- Dual pedestal, heavy duty. All-steel construction and a baked-on power coat finish combine.
- Full flow shaft and swivel, high pressure.
- Reel drive springs manufactured from high-quality, scaleless blue tempered steel.
- Anti-lockout design: Ratchet prevents lockup when hose is fully extended, eliminating the need to manually release the pawl at the reel.
- Superior performance: Swivel and reel ball bearings reduce torque load on power spring for smooth retraction and durability.
- Corrosion resistant: Sealed bearings prevent contamination and minimize maintenance.
- Easy installation and maintenance: Factory lubricated one-piece power spring cassette make installation safer and maintenance easier.



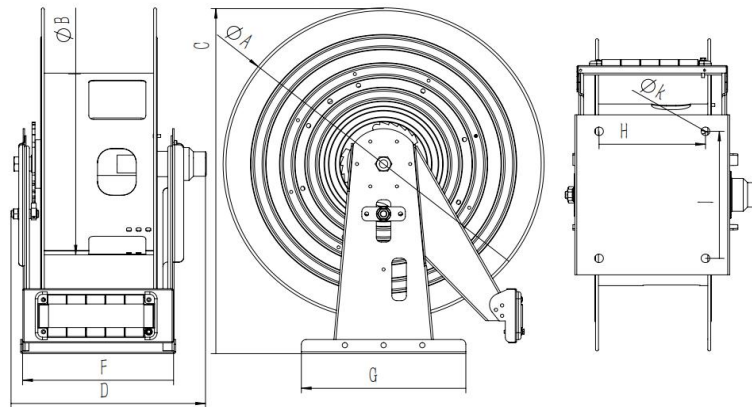
**WWW.SUPERREEL.COM**

Email: [sales@superreel.com](mailto:sales@superreel.com)

# Superreel® - Industrial Reel

- Adjustable and Versatile: Guide arm adjust to wall, floor, vehicle, overhead positions.

## DIMENSIONS



P/N	Port&core number	HOSE-ID. or CABLE-square	Pressure or I <sub>max</sub>	Working Length	Reel inlet	Hose outlet	A	B	C	D	E	F	G	H	I	J	K
ASSH670D0108016015	1	1-1/4"	1.6Mpa	15m	BSPT1-1/4".M	BSPT1-1/4".M	660	400	733	402	660	312	340	220	270	4	18
ASSH670D0109016015	1	1-1/2"	1.6Mpa	15m	BSPT1-1/2".M	BSPT1-1/2".M	660	400	733	402	660	312	340	220	270	4	18
							Dimensions are in millimeters										

