

Superreel® - Industrial Reel

ASDH500D SERIES



FEATURES

- Heavy duty. All-steel construction and a baked-on power coat finish combine.
- Full flow shaft swivels. Reduces fill rate time and improves efficiency.
- Anti-lockout design: Ratchet prevents lockup when hose is fully extended, eliminating the need to manually release the pawl at the reel.
- Superior performance: Swivel and reel ball bearings reduce torque load on power spring for smooth retraction and durability.
- Corrosion resistant: Sealed bearings prevent contamination and minimize maintenance.
- Easy installation and maintenance: Factory lubricated one-piece power spring cassette make installation safer and maintenance easier.

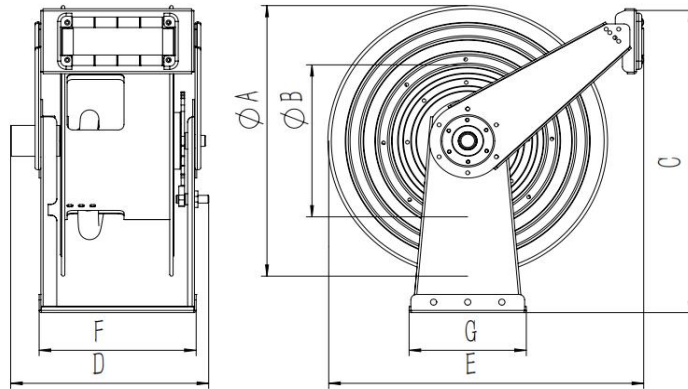


Superreel® - Industrial Reel

- Adjustable and Versatile : Guide arm adjust to wall, floor, vehicle, overhead positions.

Narrow design allows for maximum use of available space.

DIMENSIONS



P/N	Port&core number	HOSE-ID. or CABLE-square	Pressure or lmax	Working length	Reel inlet	Hose outlet	A	B	C	D	E	F	G	H	I	J	K
ASDH500D0201016015	2	1/4"	30Mpa	15m	M20*1.5.M	BSPT1/4".F	485	270	550	348	553	276	206	152	152	4	12
ASDH500D0202016014	2	5/16"	30Mpa	14m	M20*1.5.M	BSPT3/8".F	485	270	550	348	553	276	206	152	152	4	12
ASDH500D0203016013	2	3/8"	30Mpa	13m	M20*1.5.M	BSPT3/8".F	485	270	550	348	553	276	206	152	152	4	12
ASDH500D0204016012	2	1/2"	30Mpa	12m	M20*1.5.M	BSPT1/2".M	485	270	550	348	553	276	206	152	152	4	12
Reel inlet, symmetrical distribution on left and right sides							Dimensions are in millimeters										

