

Superreel® - Industrial Reel

ASSC500D SERIES



FEATURES

- To handle live electric cable/cord.
- Professional grade heavy duty steel construction. High Power, Multi-Cores.
- Silver alloy slip ring.
- Reel drive springs manufactured from high-quality, scaleless blue tempered steel.
- Durable abrasion and corrosion resistant baked-on power coat finish.
- Adjustable bumper stop allow any desired length of cord or cable to be maintained outside the reel.
- Automatic spring retraction for quick cord rewind.
- Compact for critical space requirements.

1

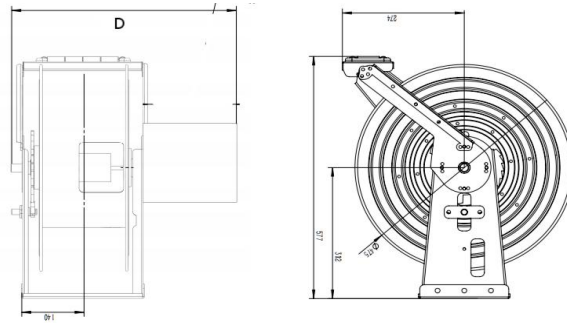


WWW.SUPERREEL.COM

Email: sales@superreel.com

Superreel® - Industrial Reel

DIMENSIONS



P/N	Port&core number	HOSE-ID. or CABLE-square	Pressure or I _{max}	Working Length	Reel inlet	Cable outlet	A	B	C	D	E	F	G	H	I	J	K
ASSC500D0405010025	4	1.5 ²	10A	25m	Bare wire	Bare wire	475	270	577	348	535	206	275	152	152	4	11
ASSC500D0406020025	4	2.5 ²	20A	25m	Bare wire	Bare wire	475	270	577	348	535	206	275	152	152	4	11
ASSC500D0408030025	4	4 ²	30A	25m	Bare wire	Bare wire	475	270	577	348	535	206	275	152	152	4	11
ASSC500D0409050025	4	6 ²	50A	25m	Bare wire	Bare wire	475	270	577	348	535	206	275	152	152	4	11
ASSC500D0410065020	4	10 ²	65A	20m	Bare wire	Bare wire	475	270	577	348	535	206	275	152	152	4	11
ASSC500D2005010025	20	1.5 ²	10A	25m	Bare wire	Bare wire	475	270	577	505	535	206	275	152	152	4	11
ASSC500D0114500025	1	50 ²	500A	25m	Bare wire	Bare wire	475	270	577	505	535	206	275	152	152	4	11
							Dimensions are in millimeters										

