

# Superreel® - Industrial Reel

## ASSH520D SERIES



## FEATURES

- Dual pedestal, heavy duty. Negative pressure for general use.
- Full flow shaft and swivel.
- Reel drive springs manufactured from high-quality, scaleless blue tempered steel.
- Anti-lockout design: Ratchet prevents lockup when hose is fully extended, eliminating the need to manually release the pawl at the reel.
- Superior performance: Swivel and reel ball bearings reduce torque load on power spring for smooth retraction and durability.
- Corrosion resistant: Sealed bearings prevent contamination and minimize maintenance.
- Easy installation and maintenance: Factory lubricated one-piece power spring cassette make installation safer and maintenance easier.

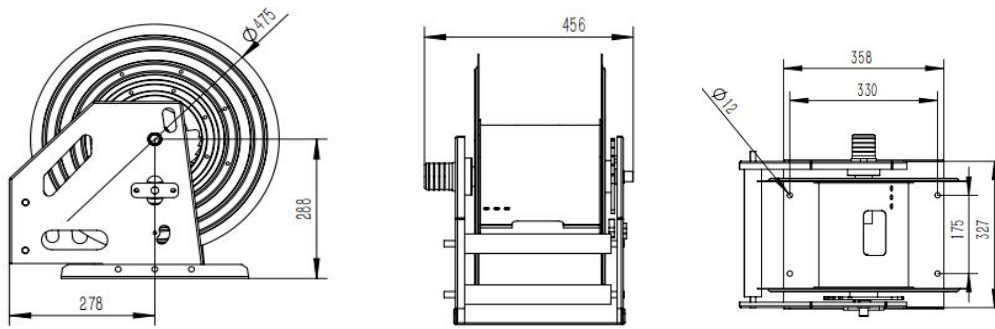


# Superreel® - Industrial Reel

- Adjustable and Versatile: Guide arm adjust to wall, floor, vehicle, overhead positions.

Narrow design allows for maximum use of available space.

## DIMENSIONS



P/N	Port&core number	HOSE-ID. or CABLE-square	Pressure or Imax	Working length	Reel inlet	Hose outlet	A	B	C	D	E	F	G	H	I	J	K
ASSH520D0108016008	1	1-1/4"	1.6Mpa	8m	pagoda	pagoda	475	200	525	456	515	327	358	175	330	4	12
Reels finished standard with bellow hose.							Dimensions are in millimeters										

