

# Superreel® - Industrial Reel

## ASDH520D SERIES



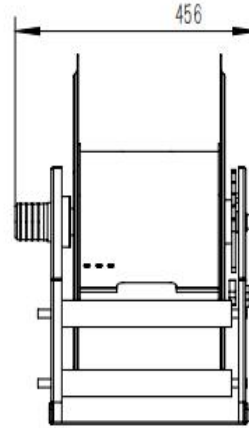
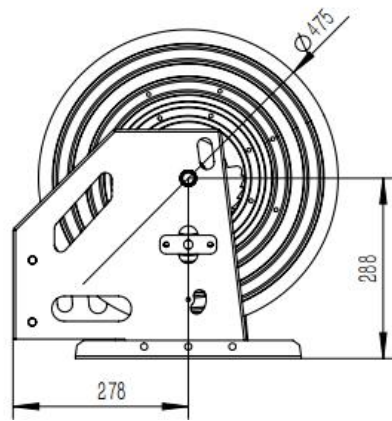
## FEATURES

- Heavy duty. All-steel construction and a baked-on power coat finish combine.
- Full flow shaft swivels. Reduces fill rate time and improves efficiency.
- Anti-lockout design: Ratchet prevents lockup when hose is fully extended, eliminating the need to manually release the pawl at the reel.
- Superior performance: Swivel and reel ball bearings reduce torque load on power spring for smooth retraction and durability.
- Corrosion resistant: Sealed bearings prevent contamination and minimize maintenance.
- Easy installation and maintenance: Factory lubricated one-piece power spring cassette make installation safer and maintenance easier.
- Adjustable and Versatile: Guide arm adjust to wall, floor, vehicle, overhead positions.



# Superreel® - Industrial Reel

## DIMENSIONS



P/N	Port&core number	HOSE-ID. or CABLE-square	Pressure or lmax	Working length	Reel inlet	Hose outlet	A	B	C	D	E	F	G	H	I	J	K
ASDH520D0208016010	2	1-1/4"	1.6Mpa	10m	pagoda	pagoda	475	200	525	456	515	327	358	175	330	4	12
ASDH520D0209016010	2	1-1/2"	1.2Mpa	10m	pagoda	pagoda	475	200	525	456	515	327	358	175	330	4	12
Reels finished with coaxial hose							Dimensions are in millimeters										

