

# Superreel® - Industrial Reel

## ESMH660F SERIES



## FEATURES

- Heavy duty. All-steel construction.
- For thermoplastic welded three port hose
- Available in Left or Right version
- Fixation by mounting flangel
- Self winding by permanent spring force
- Full flow shaft swivels.
- Superior performance: Swivel and reel ball bearings reduce torque load on power spring for smooth retraction and durability.
- Corrosion resistant: Sealed bearings prevent contamination and minimize maintenance.
- Easy installation and maintenance: Factory lubricated one-piece power spring cassette make installation safer and maintenance easier.

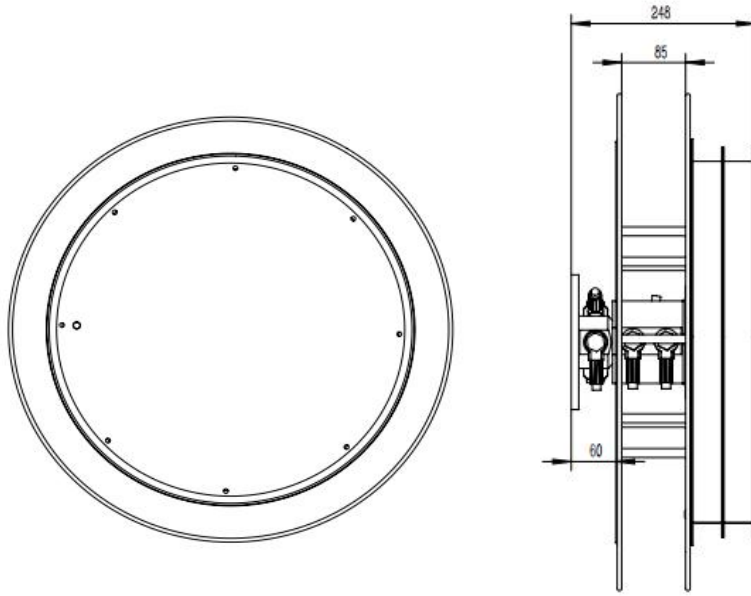


# Superreel® - Industrial Reel

- Adjustable and Versatile: Guide arm adjust to wall, floor, vehicle, overhead positions.

Narrow design allows for maximum use of available space.

## DIMENSIONS



P/N	Port&core number	HOSE-ID. or CABLE-square	Pressure or lmax	Working length	Reel inlet	Hose outlet	A	B	C	D	E	F	G	H	I	J	K
ESMH660F0301220012	3	1/4"	22MPA	12m	M22*1.5.M	M22*1.5.F	660	220	660	248	660	130	130	100	100	4	13
ESMH660F0304220009	3	1/2"	22MPA	9m	M22*1.5.M	M22*1.5.F	660	220	660	248	660	130	130	100	100	4	13
ESMH660F static pressure: 35MPA, dynamic pressure: 22MPA							Dimensions are in millimeters										

