

Superreel® - Industrial Reel

ESSC370D SERIES



FEATURES

- To handle live electric cable/cord.
- Professional grade heavy duty steel construction.
- Silver alloy slip ring.
- Reel drive springs manufactured from high-quality, scaleless blue tempered steel.
- Durable abrasion and corrosion resistant baked-on power coat finish.
- Adjustable bumper stop allow any desired length of cord or cable to be maintained outside the reel.
- Automatic spring retraction for quick cord rewind.
- Compact for critical space requirements.

1

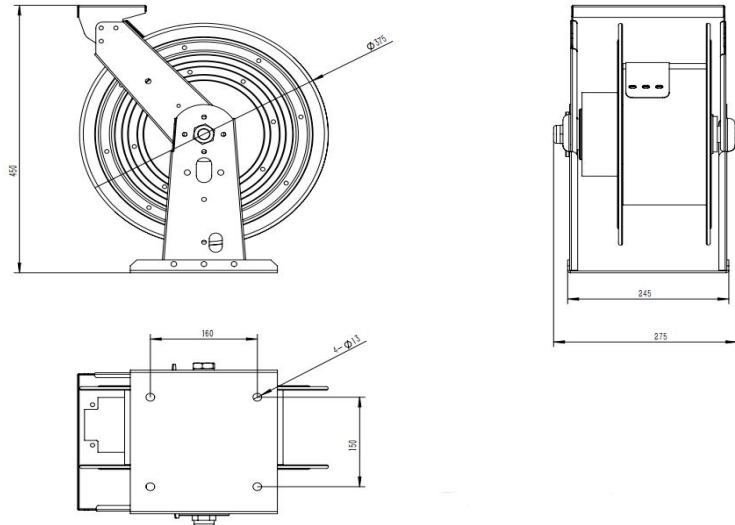


WWW.SUPERREEL.COM

Email: sales@superreel.com

Superreel® - Industrial Reel

DIMENSIONS



P/N	Port&core number	HOSE-ID. or CABLE-square	Pressure or lmax	Working length	Reel inlet	Cable outlet	A	B	C	D	E	F	G	H	I	J	K
ESSC370D0405010020	4	1.5 ²	10A	20m	Bare wire	Bare wire	375	237	470	275	375	245	220	150	160	4	13
ESSC370D0406020020	4	2.5 ²	20A	20m	Bare wire	Bare wire	375	237	470	275	375	245	220	150	160	4	13
ESSC370D0408030015	4	4 ²	30A	15m	Bare wire	Bare wire	375	237	470	275	375	245	220	150	160	4	13
ESSC370D0409050012	4	6 ²	50A	12m	Bare wire	Bare wire	375	237	470	275	375	245	220	150	160	4	13
Suitable for super flexible cable							Dimensions are in millimeters										

